



# ECO Series

## Compact Single Inlet Centrifugal Utility Blowers

### General Description

Centrifugal type single inlet blower featuring the unique External Rotor Motor, with motorized impeller totally enclosed into blower housing (no motor overhang). Unique design allows speed control from 0 to 100%, even with inexpensive electronic speed control devices.

### Motor/Impeller

Motor and impeller are manufactured as one integral unit, both statically and dynamically balanced. Ball bearings are permanently lubricated and sealed. Motor is rated for continuous duty providing long service life under maximum load conditions. Motors provided with automatic or manual reset thermal overload protection. Class F insulation is standard for all motors allowing for higher ambient temperatures when required. Permanent split capacitor motors provide maximum efficiency. Forward curved impeller blades are constructed of galvanized steel.

### Housing Construction

Scroll type housing constructed of galvanized steel housing assembled with tab and fold technology (no welds) for strength and durability. An inlet ring is formed into side plate.

### Safety

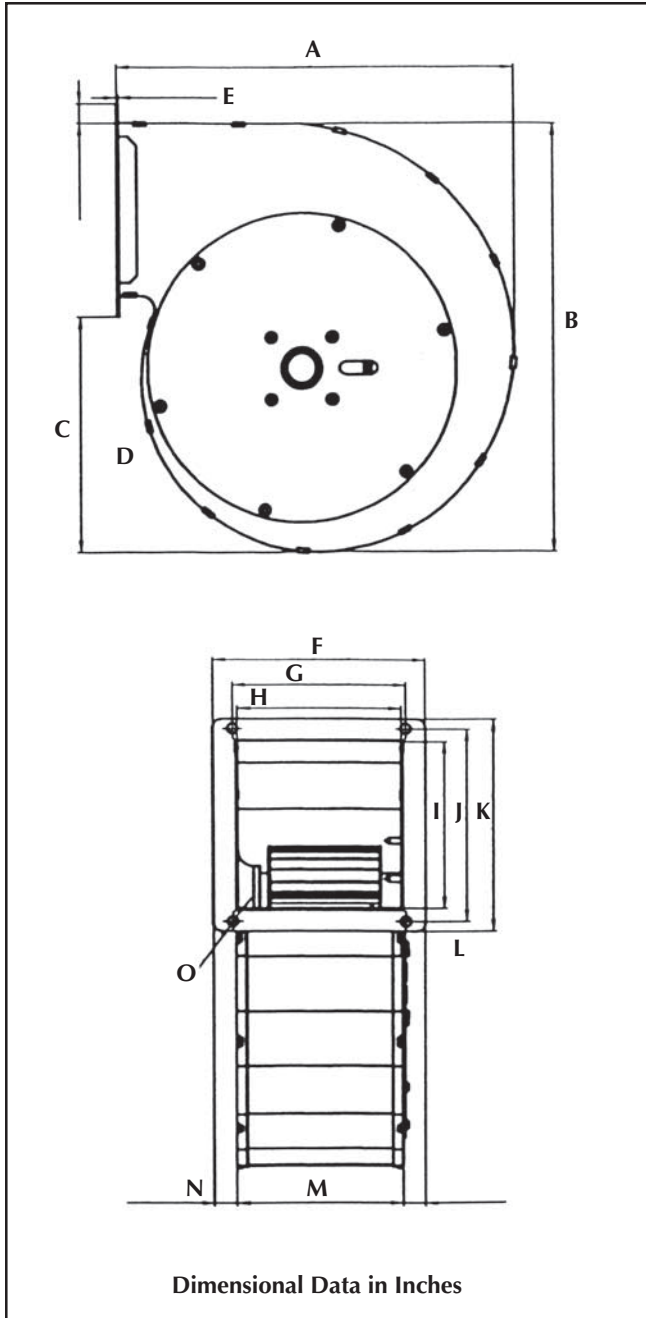
All motors are constructed of UL approved materials.

### Operation

Blowers can be mounted in any position.

### Maintenance

Motor design eliminates need to service. Periodic inspection to clear the impeller of any debris is recommended.



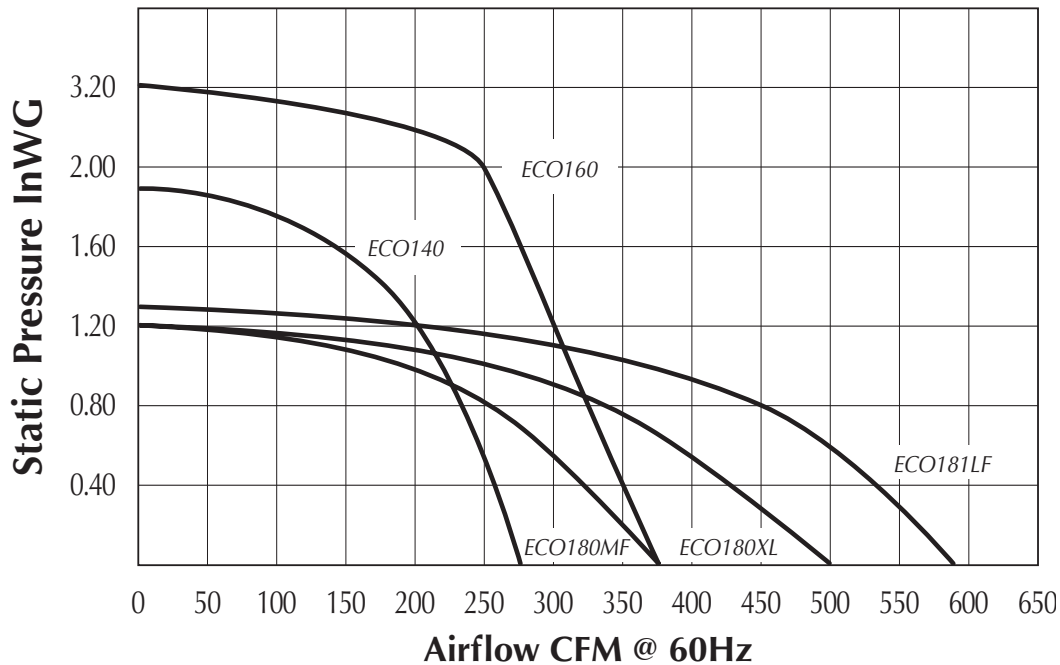
### Featuring

- Space saving design
- High efficiency and performance
- 100% speed control
- External rotor motor
- Class F insulated motors
- Quiet operation

Model	A	B	C	D	E	F	G	H	I	J	K	L	M	N	O
ECO140LF	8.87	9.77	4.46	0.43	0.05	5.12	4.37	3.86	3.72	4.87	5.75	0.59	3.94	0.59	0.24
ECO160MF	8.87	9.77	4.46	0.43	0.05	5.12	4.37	3.86	3.72	4.87	5.75	0.59	3.94	0.59	0.24
ECO180MF	10.30	11.13	6.13	0.51	0.05	5.51	4.50	4.25	4.33	5.00	5.51	0.59	4.33	0.59	0.28
ECO180XLF	10.30	11.13	5.71	0.95	0.05	6.69	4.92	4.50	4.33	5.00	6.37	0.94	5.00	0.75	0.26
ECO181LF	11.31	12.99	6.61	1.02	0.05	6.96	5.00	5.00	5.21	6.00	7.40	1.00	5.08	0.88	0.35

# Performance & Dimensions

## ECO Series



For other performance requirements contact the factory.

TYPE	ECO140LF	ECO180MF	ECO180XLF	ECO181LF
Overload Protector	THERMAL	THERMAL	THERMAL	THERMAL
Impeller Diameter	140mm	180mm	180mm	180mm
Impeller Width	60mm	75mm	92mm	92mm
Weight - lbs.	7.4	8.8	9.4	10.5
Voltage	115	115	115	115
Max Airflow - CFM	284	374	512	577
Speed - RPM	2145	1205	1410	1280
Frequency - Hertz	60	60	60	60
Input - Watts	190	130	200	225
Current - Amps	1.66	1.14	1.75	1.95
Capacitor - uF	16	12	20	20
Max. Amb. Temp.	60° C	60° C	60° C	60° C
Voltage	230	230	230	230
Max Airflow - CFM	273	375	516	570
Speed -RPM	2020	1210	1430	1260
Frequency - Hertz	60	60	60	60
Input - Watts	190	135	200	216
Current - Amps	0.82	0.58	0.86	0.94
Capacitor	4	3	5	5
Max. Amb. Temps.	60° C	60° C	60° C	60° C

Note: 115V/230V Motors are rated for 50/60Hz operation



**Master Ventilation Products, Inc.**  
 2082 58th Avenue Circle East  
 Bradenton, Florida 34203  
 Telephone: (941) 739-0879  
 Fax: (941) 739-0881  
 Web: www.mastervent.com

**Distributed By:**