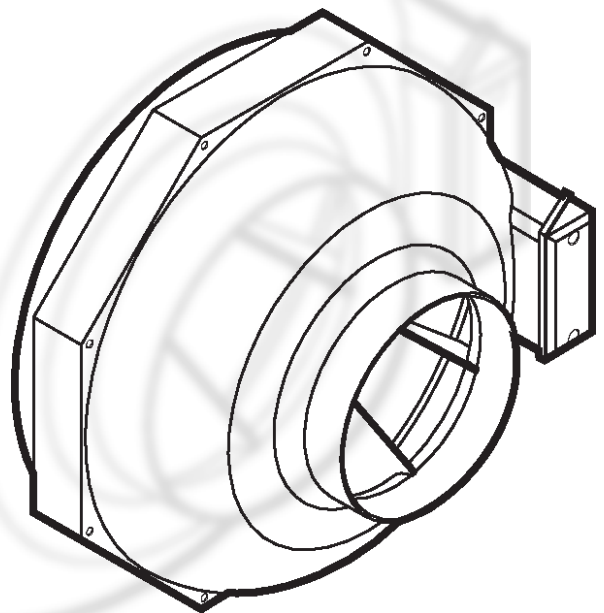


RS Series with Powder Coated
Steel Housing

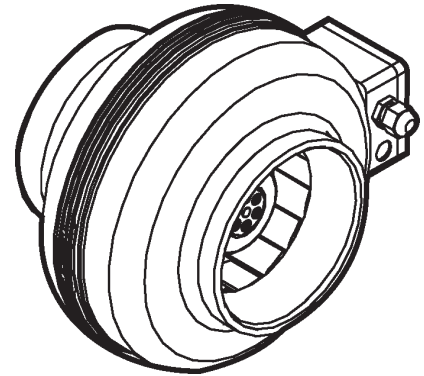
INLINE TUBE FANS



RK Series with Plastic Housing



**QUALITY &
RELIABILITY
IN A COMPACT
SPACE-SAVING
DESIGN**



RS Series with Powder Coated Steel Housing

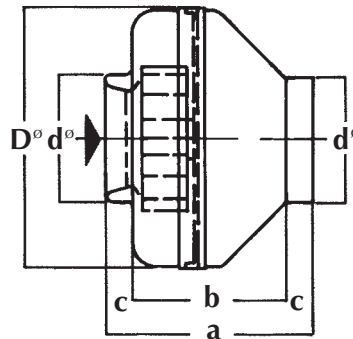
Quality, Performance
Reliability and Durability
are assured by our three
year warranty

The RS/RK Series of Inline Tube Fans represents the ideal design unifying the advantages of axial fans, in-line air flow and ease of installation, with the high efficiency, high pressure stability, and low noise of the radial fan.

RS SERIES PERFORMANCE TABLE

MODEL	DUCT DIA	INPUT WATT	CURRENT AMP	VOLTAGE VOLT	FREQ. HZ	C.F.M vs STATIC PRESSURE										dB(A)	MAX OPER. TEMP. 50/60 HZ
						0	.20	.40	.80	1.20	1.60	2.00	2.40	2.80	FAN RPM		
RS4L	4"	70	0.63	115	60	176	153	138	68	59	9	-	-	-	2445	64	80/40° C
RS5L	5"	72	0.65	115	60	206	171	144	97	50	-	-	-	-	2305	65	80/40° C
RS6	6"	73	0.65	115	60	271	230	188	121	65	-	-	-	-	2340	66	80/40° C
RS6L	6"	136	1.20	115	60	441	388	336	241	177	115	24	-	-	2530	66	80° C
RS8	8"	125	1.09	115	60	494	441	397	283	191	115	24	-	-	2620	69	80° C
RS8L	8"	255	2.20	115	60	736	677	624	500	371	283	206	135	35	2605	70	50/40° C
RS10	10"	131	1.14	115	60	524	471	424	303	206	115	15	-	-	2610	68	80° C
RS10L	10"	250	2.20	115	60	783	736	665	530	400	300	224	141	35	2620	67	50/40° C
RS12L	12"	330	2.91	115	60	971	930	889	795	683	565	441	312	165	2940	70	60° C

MODEL	d	D	a	b	c
RS4L	3.93	9.68	8.18	5.98	1.10
RS5L	4.92	9.68	7.59	5.39	1.10
RS6	5.90	10.74	7.48	5.08	1.20
RS6L	5.90	13.52	9.08	5.08	1.20
RS8	7.87	13.62	9.17	6.77	1.20
RS8L	7.87	13.62	9.17	6.77	1.20
RS10	9.84	13.58	9.37	6.97	1.20
RS10L	9.84	13.58	9.37	6.97	1.20
RS12L	12.40	15.90	9.96	7.56	1.20



DIMENSIONAL DATA

100% VARIABLE AIR FLOW

Maximize energy economy.
Match the airflow to the actual requirements.

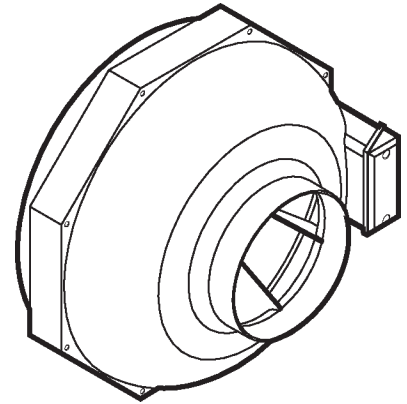
DIRECT DRIVE EXTERNAL ROTOR MOTOR

Fan can be installed in any position.
Compact design.

HIGH EFFICIENCY - QUIET OPERATING

Internal vanes insure high volume and pressure.
The sturdy housing ensures quiet, worry-free operation.

SIMPLE AND EASY INSTALLATION

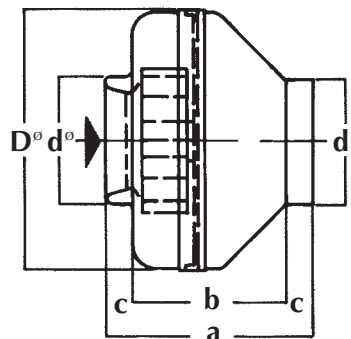


**RK Series with
Plastic Housing**

RK SERIES PERFORMANCE TABLE

MODEL	DUCT DIA	INPUT WATT	CURRENT AMP	VOLTAGE VOLT	FREQ. HZ	C.F.M vs STATIC PRESSURE										FAN RPM	dB(A)	MAX OPER. TEMP. 50/60 HZ
						0	.20	.40	.80	1.20	1.60	2.00	2.40	2.80				
RK4L	4"	70	0.63	115	60	176	153	138	68	59	-	-	-	-	2580	64	80/40° C	
RK5L	5"	72	0.65	115	60	206	171	144	97	50	-	-	-	2470	65	80/40° C		
RK6	6"	71	0.64	115	60	277	241	203	130	68	-	-	-	2325	66	80/40° C		
RK6L	6"	132	1.14	115	60	444	400	359	262	188	106	27	-	2540	66	80° C		
RK8	8"	134	1.17	115	60	494	456	409	291	200	115	18	-	2610	69	80° C		
RK8L	8"	257	2.22	115	60	698	648	598	474	360	283	218	135	53	2555	70	50° C	
RK10	10"	132	1.14	115	60	512	468	421	306	212	118	15	-	2680	68	80° C		
RK10L	10"	255	2.20	115	60	721	671	615	486	383	294	215	135	47	2630	67	50° C	

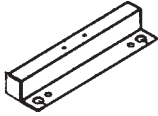
MODEL	d	D	a	b	c
RK4L	3.93	9.64	8.66	6.46	1.10
RK5L	4.92	9.64	8.66	6.46	1.10
RK6	5.90	13.38	9.05	6.65	1.20
RK6L	5.90	13.38	9.05	6.65	1.20
RK8	7.87	13.38	9.05	6.65	1.20
RK8L	7.87	13.38	9.05	6.65	1.20
RK10	9.84	13.38	9.05	6.65	1.20
RK10L	9.84	13.38	9.05	6.65	1.20



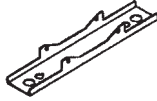
DIMENSIONAL DATA

ACCESSORIES

MOUNTING BRACKET MRS
for Tube Fan type RS, made of
galvanized sheet metal



MOUNTING BRACKET MRK
for Tube Fan type RK, made of
galvanized sheet metal



PROTECTION GUARD SG



FAST CLAMPS..... VM



BACK DRAFT DAMPER RSK



FLEXIBLE COUPLINGS

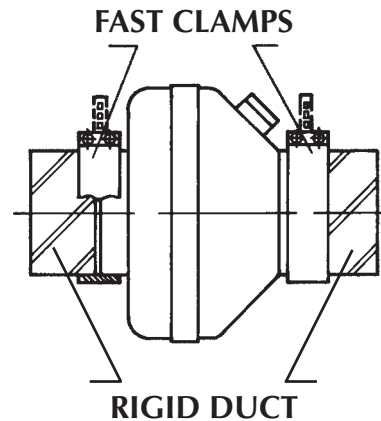


SOLID STATE SPEED CONTROLLER

APPLICATIONS

- Air Curtain Supply
- Bathroom Exhaust
- Conference Rooms
- Cooling Systems
- Duct Ventilation Booster
- Fume Control Systems
- Kitchen Ventilation
- Locker Room Exhaust
- Oil Mist Exhaust
- Smoking Lounges
- Spot Ventilation
- Swimming Pool Ventilation

Typical Rigid Duct Mounting of Fan
Using Insulated Fast Clamps



MASTER VENTILATION PRODUCTS, INC.

2082 58th Avenue Circle East
Bradenton, FL 34203

www.mastervent.com