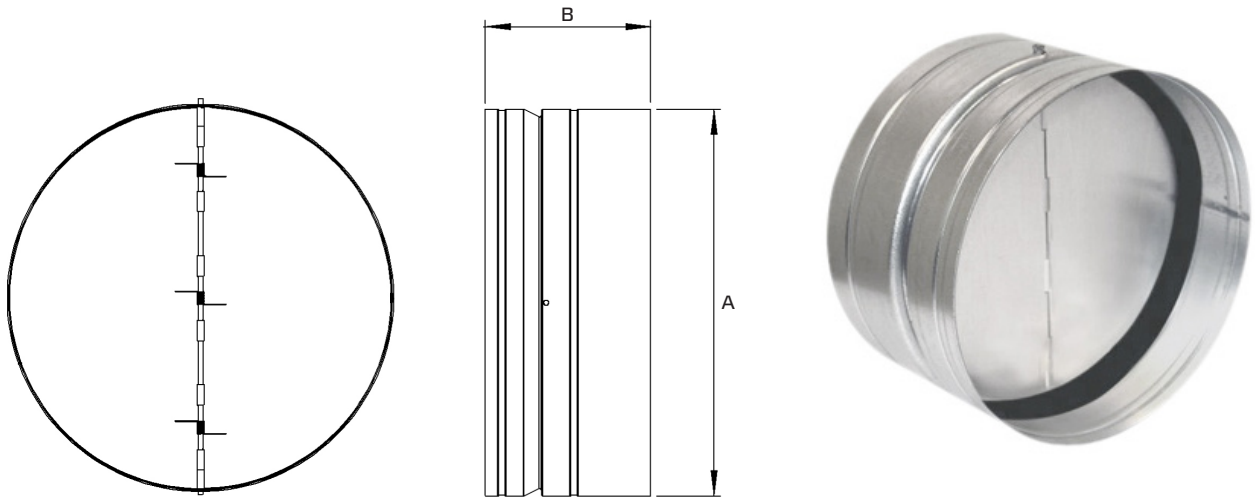


DATA SHEET

Back Draught Damper



Type	ID	Ø A inch	B inch	Weight lbs
Back Draught Damper 4"	149389	4	3.5	0.5
Back Draught Damper 6"	149391	6	3.5	0.7
Back Draught Damper 8"	149394	8	3.5	0.9
Back Draught Damper 10"	149396	10	5.1	2.0
Back Draught Damper 12"	149477	12	5.1	2.4
Back Draught Damper 14"	149400	14	7.9	4.2
Back Draught Damper 16"	149445	16	7.9	4.9

- Back Draught Shutter for duct installation
- Galvanized sheet steel housing
- Springloaded aluminium flaps
- With rubber seal
- Can be mounted horizontal or vertical

Ruck Air Movement - Master Series by



www.mastervent.com marion.pye@mastervent.com

2082 58th Ave. Circle E.
Bradenton, FL 34203

Phone: 941.739.0879

Fax: 941.739.0881