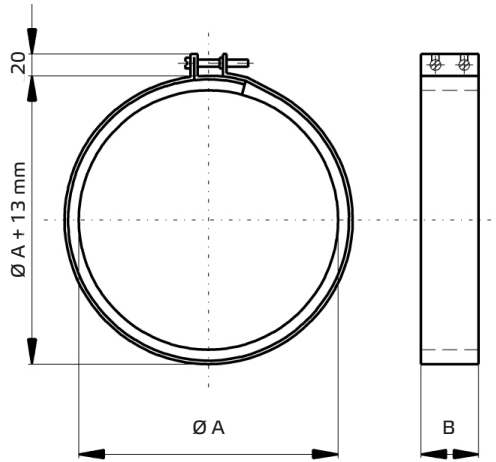


# DATA SHEET

## Fast Clamps



Type	ID	Ø A inch	B inch	Weight lbs
Fast Clamps 4"	149465	4	2.4	
Fast Clamps 6"	149466	6	2.4	
Fast Clamps 8"	149467	8	2.4	
Fast Clamps 10"	149470	10	2.4	
Fast Clamps 12"	149471	12	2.4	
Fast Clamps 14"	149472	14	2.4	

- Fast clamps for noise reduction and sealing
- Sheet steel, galvanized
- Isolating neoprene seal
- 1 set = 2 pcs.

## Ruck Air Movement - Master Series by



www.mastervent.com marion.pye@mastervent.com

2082 58th Ave. Circle E.  
Bradenton, FL 34203

Phone: 941.739.0879  
Fax: 941.739.0881