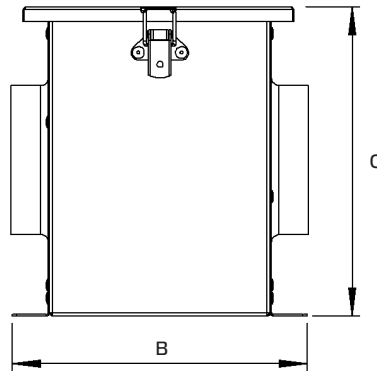
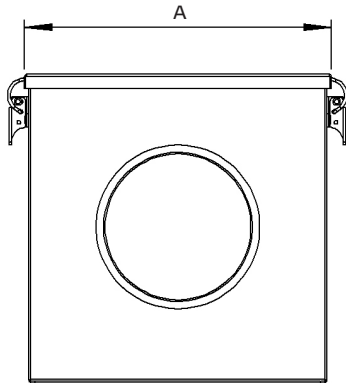


DATA SHEET

Filter Box



Type	ID	Nominal width inch	Filter Size	A inch	B inch	C inch	Weight lbs
Air Filter Box 4"	149448	4	1	8.1	7.8	8.1	4.0
Air Filter Box 6"	149452	6	1	8.1	7.8	8.1	3.7
Air Filter Box 8"	149449	8	2	12.0	7.8	12.1	6.4
Air Filter Box 10"	149453	10	2	12.0	7.8	12.1	5.9
Air Filter Box 12"	149455	12	3	19.9	7.8	20.0	13.4
Air Filter Box 14"	149456	14	3	19.9	7.8	20.0	11.0

- Filter box with mat filter ISO Coarse 45% (G3)/ MERV 5
- Galvanized sheet steel housing
- Toggle-type fastener
- Minimal airflow restriction
- Recyclable



Fiber Mat Filter
max. ambient temp 80 °C
1 pack = 5 pcs.

Replacement Filter		
Size	ID	Filtration class
1	149457	ISO Coarse 45% (G3)
2	149461	ISO Coarse 45% (G3)
3	149462	ISO Coarse 45% (G3)

Ruck Air Movement - Master Series by



www.mastervent.com marion.pye@mastervent.com

2082 58th Ave. Circle E.
Bradenton, FL 34203

Phone: 941.739.0879
Fax: 941.739.0881