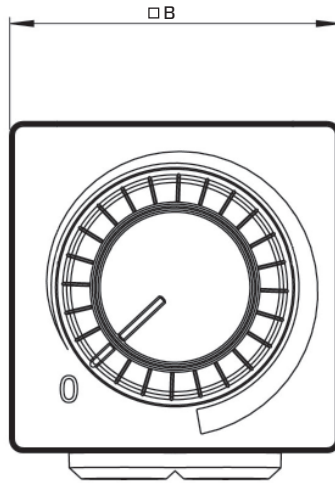
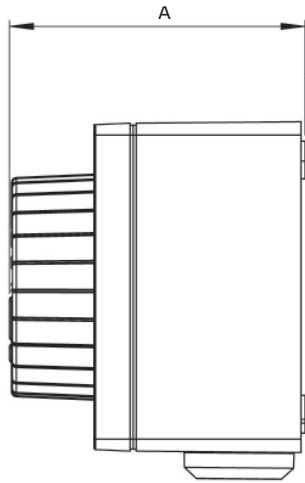


**Submittal Data and Specifications**

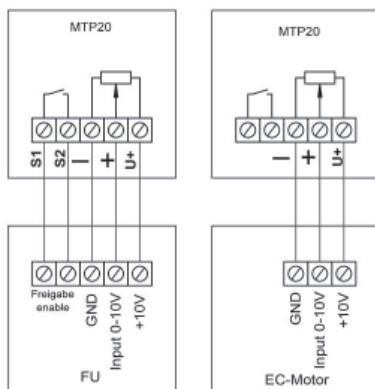
**Potentiometer MTP 20**



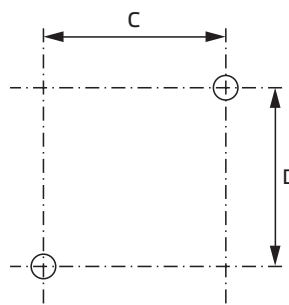
Type	ID	A mm	B mm	C mm	D mm	Weight kg
MTP20	128146	74	83	66,5	66,5	0,2

- Resistance 10 kΩ
- Surface and flush mounting
- Max. ambient temp 50°C
- Switching contact : 1A / 250V AC - 2,5A / 12V DC
- VDE
- Protection class IP 44

**Wiring diagram:**



**Assembly:**



**Legend**

Vac = AC voltage

Vdc = DC voltage

I<sub>max</sub> = Max. operating current