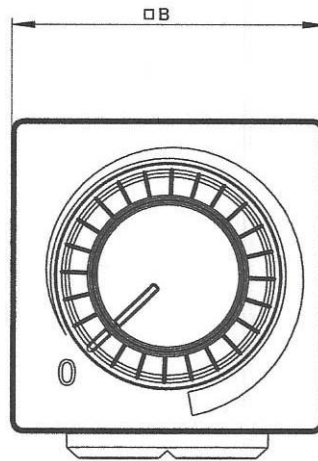
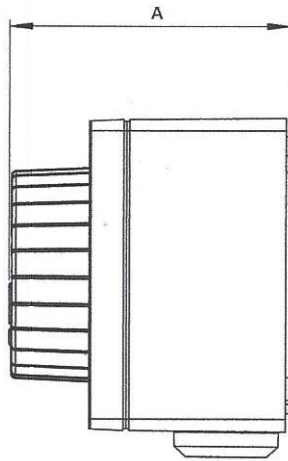


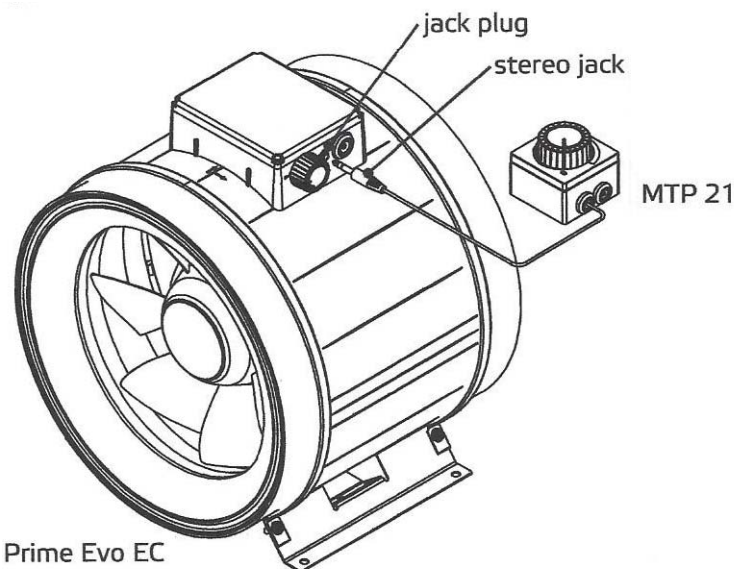
DATA SHEET

Potentiometer MTP 21

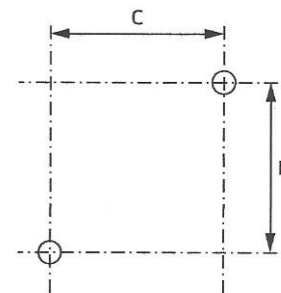


Type	ID	A in	A mm	B in	B mm	C in	C mm	D in	D mm	Weight oz	Weight kg
MTP 21	153407	2.92	74	3.27	83	3.27	66,5	2.62	66,5	7	0,2

Assembly :



- Potentiometer MTP
- Resistance 10 kΩ
- Surface and flush mounting
- Max. ambient temp 50 °C
- Switching contact:
1A / 250V AC - 2,5A / 12V DC
- Protection class IP 44



Ruck Air Movement - Master Series by

2082 58th Ave. Circle E.
Bradenton, FL 34203



Phone: 941.739.0879
Fax: 941.739.0881

marion.pye@mastervent.com